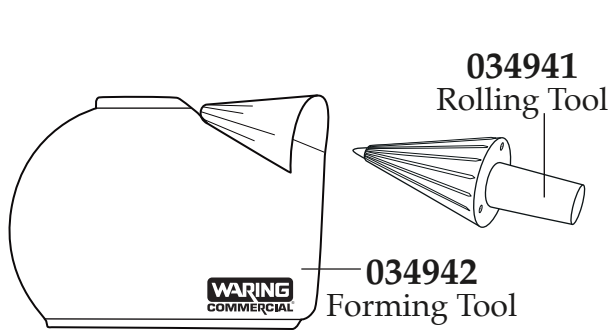
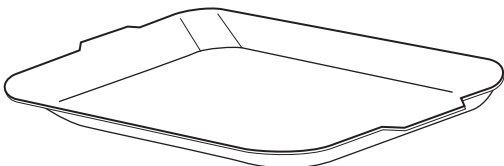


WARING COMMERCIAL®

Europe Single Waffle Cone Maker WWCM180E



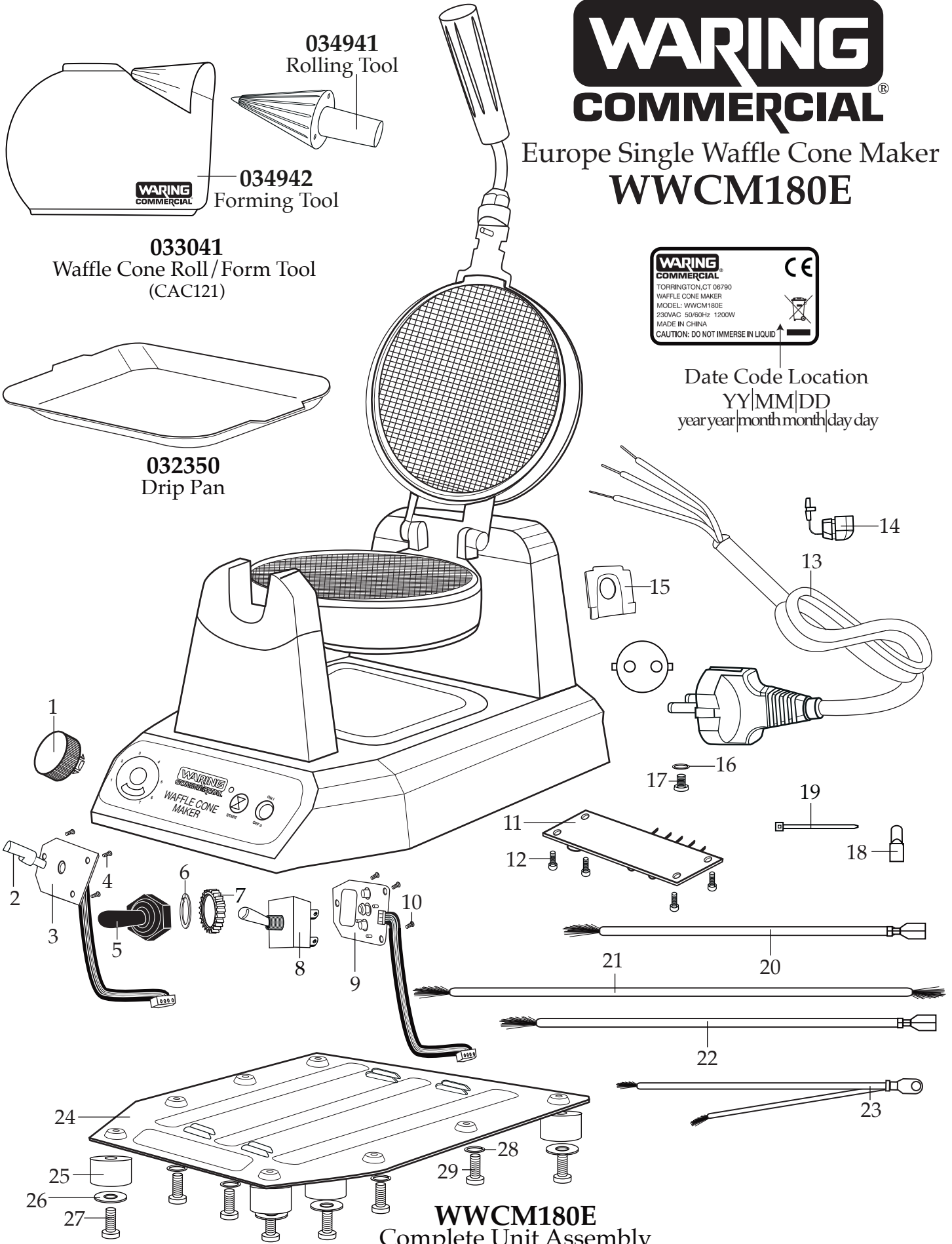
033041
Waffle Cone Roll/Form Tool
(CAC121)



032350
Drip Pan



Date Code Location
YY|MM|DD
year year | month month | day day



WWCM180E Complete Unit Assembly

Illustration #	Part #	Description
1	032352	Browning Control Knob with Insert
2	034162	Connection Pole
3	035316	Darkness Control Panel (thermostat) w/ Short Lead Tape
4	032359	Screw (3 required)
5	035321	Toggle Switch Boot
6	032356	Washer
7	035322	Toggle Switch Locking Ring
8	032747	ON-OFF Toggle Switch
9	035343	Control Board
10	032359	Screw (3 required)
11	035344	PCB Board
12	032359	Screw (4 required)
13	032748	Cord Set
14	032361	Strain Relief
15	032371	Cord Plate
16	032360	Ground Spring Washer
17	035298	Ground Screw
18	019123 012409	Large Crimp Connector (2 required) Small Crimp Connector (4 required)
19	013731	Wire Tie (7 required)
20	034932	7.5" Red Lead
21	032367	17" Red Lead
22	035348	10.25" Black Lead
23	035345	Double Ground Lead
24	032351	Bottom Plate
25	032353	Foot (4 required)
26	032354	Foot Washer (4 required)
27	032355	Foot Screw (4 required)
28	032360	Bottom Plate Spring Washer (4 required)
29	032750	Bottom Plate Screw (4 required)